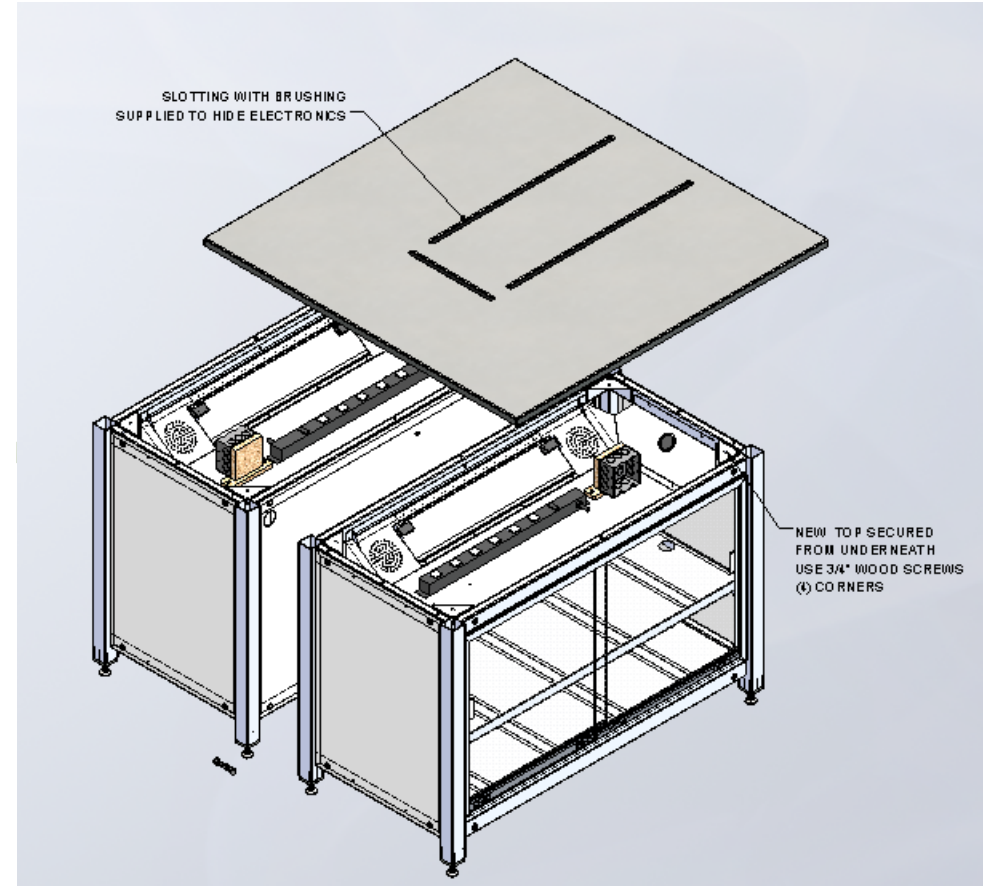


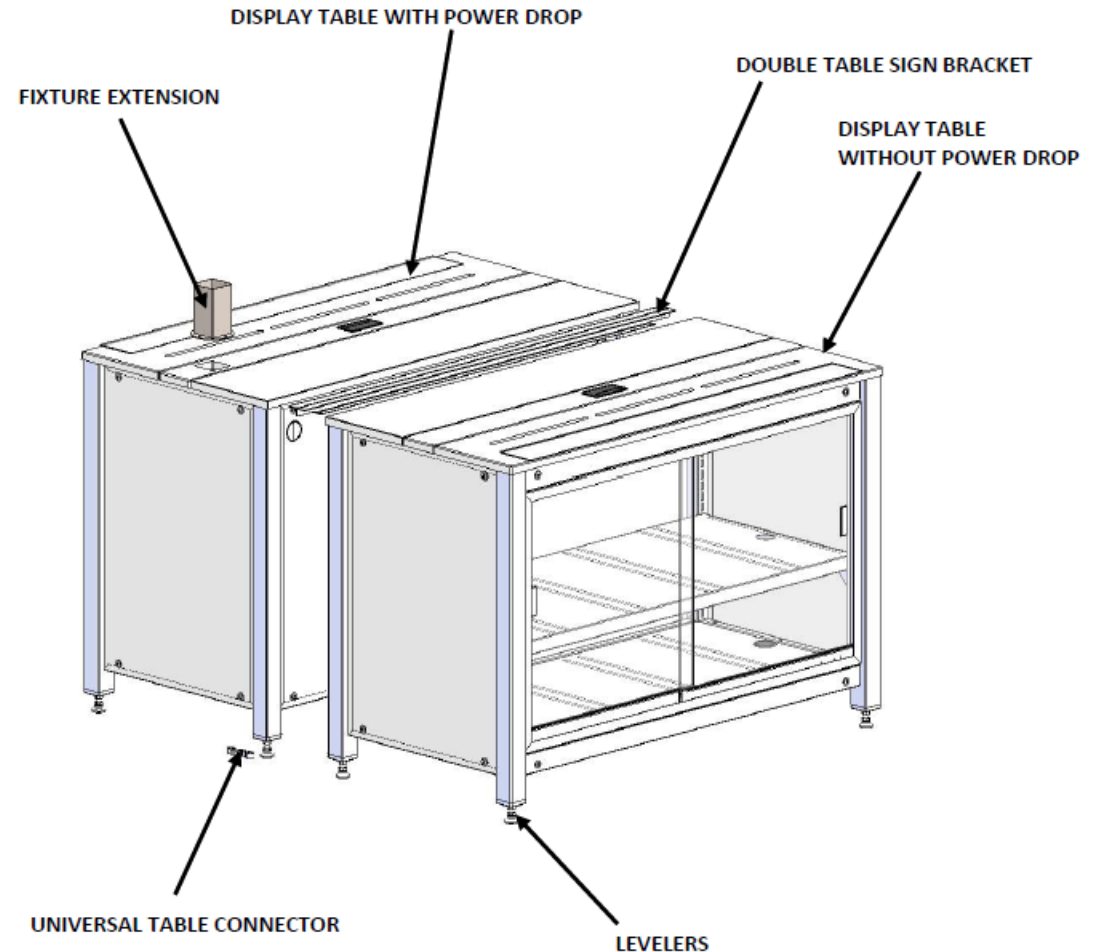


One piece Countertop installation instructions



Step 1. remove of existing countertop

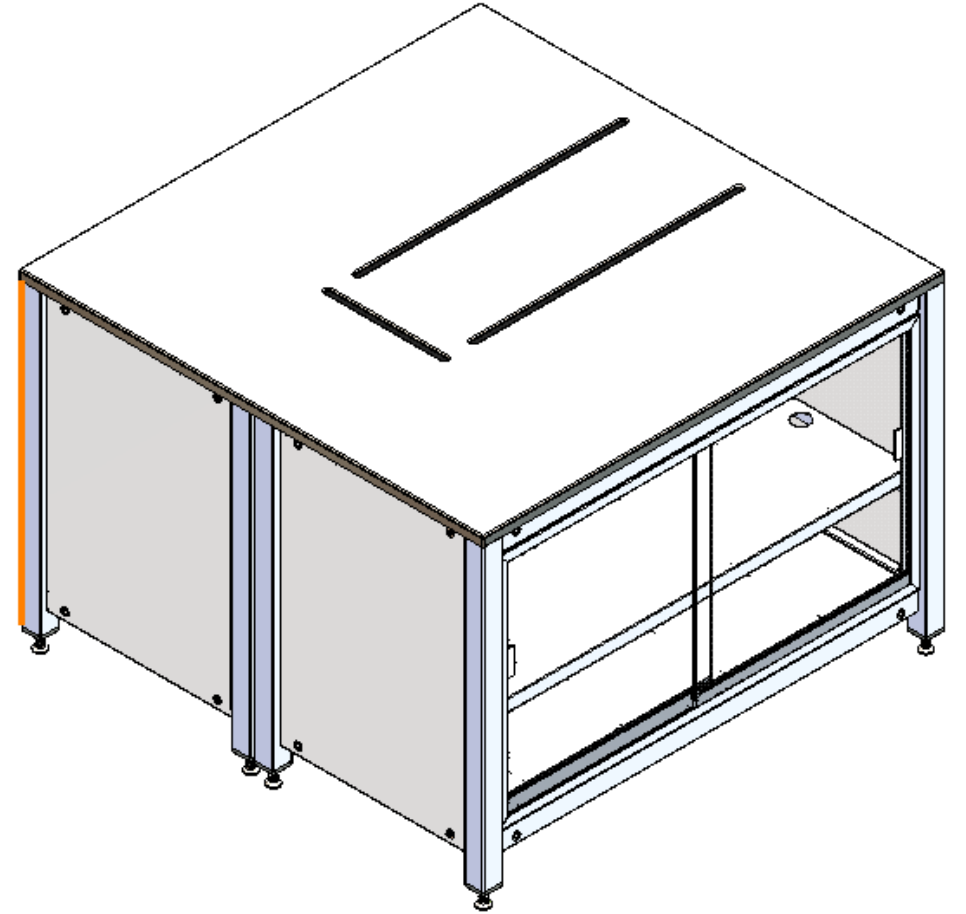
- Remove screws from underneath tops as needed some may not be accessible without separating the cabinets. On the inside screws, This can be avoided by gently prying up until threaded inserts pull out of the wood from existing tops.
- The threaded inserts can then be removed from the screws. Once the threaded inserts are removed the screws will fall into the cannels below. They will not need to be removed.
- The existing tops can now be safely discarded.



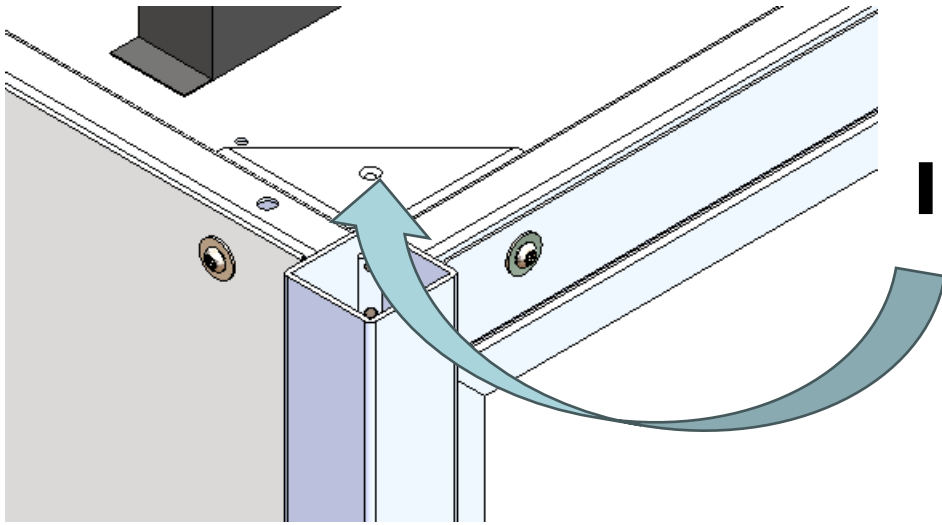
Step 2. Installation of new top

Align new top

- Locate your new top, align per illustration
- Ensure that the 2-piece base cabinets are firmly attached if not do so now.
- Align the top onto the 2 base cabinets as shown.
- The longer slots in the countertop run parallel with the glass doors.
- Ensure that top is equal distance from each edge.



Step 3. Installation of new top



Install wood screws (4) corners

- Install $\frac{3}{4}$ " Phillips head pan head Screws (locally sourced) in the outer corners from underneath to secure tabs.
- You will find metal brackets with supplied holes.. (4) total
- Install screws into the wood sub straight from underneath
- Take care not to overtighten and strip the wood
- This will be all that is needed to reinstall the new top

**Assembled unit
installation is now complete**

