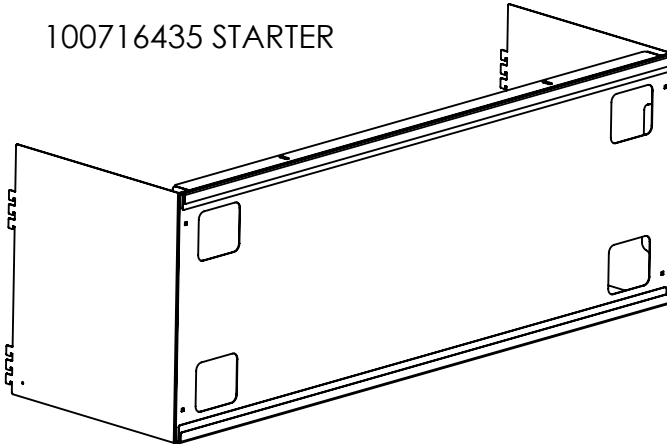


Walmart Part No. **100716435 AND 100716436**

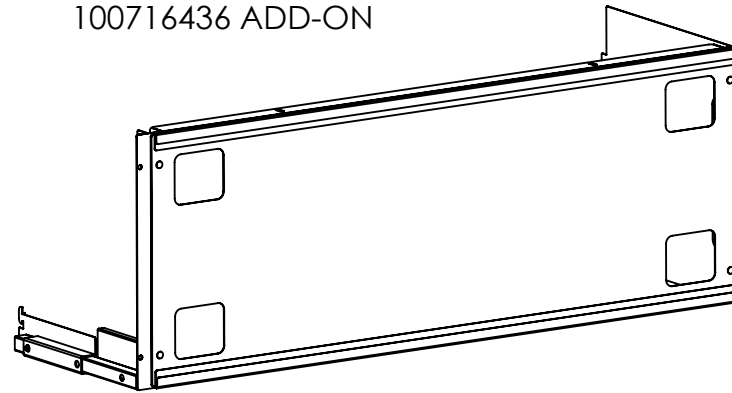
Walmart Description

**NEXT GEN ELECTRONICS PANEL  
STR AND AO**

100716435 STARTER



100716436 ADD-ON



Visit [www.ladarling.com/Next-Gen-Electronics-Panel-STR-and-AO/](http://www.ladarling.com/Next-Gen-Electronics-Panel-STR-and-AO/) for a digital copy of the instruction sheets.

LAD DESCRIPTION

NEXT GEN ELECTRONICS PANEL STR AND AO

LAD PART NO.  
354735IS

REV.	BY	DATE
1	JH	12/9/24

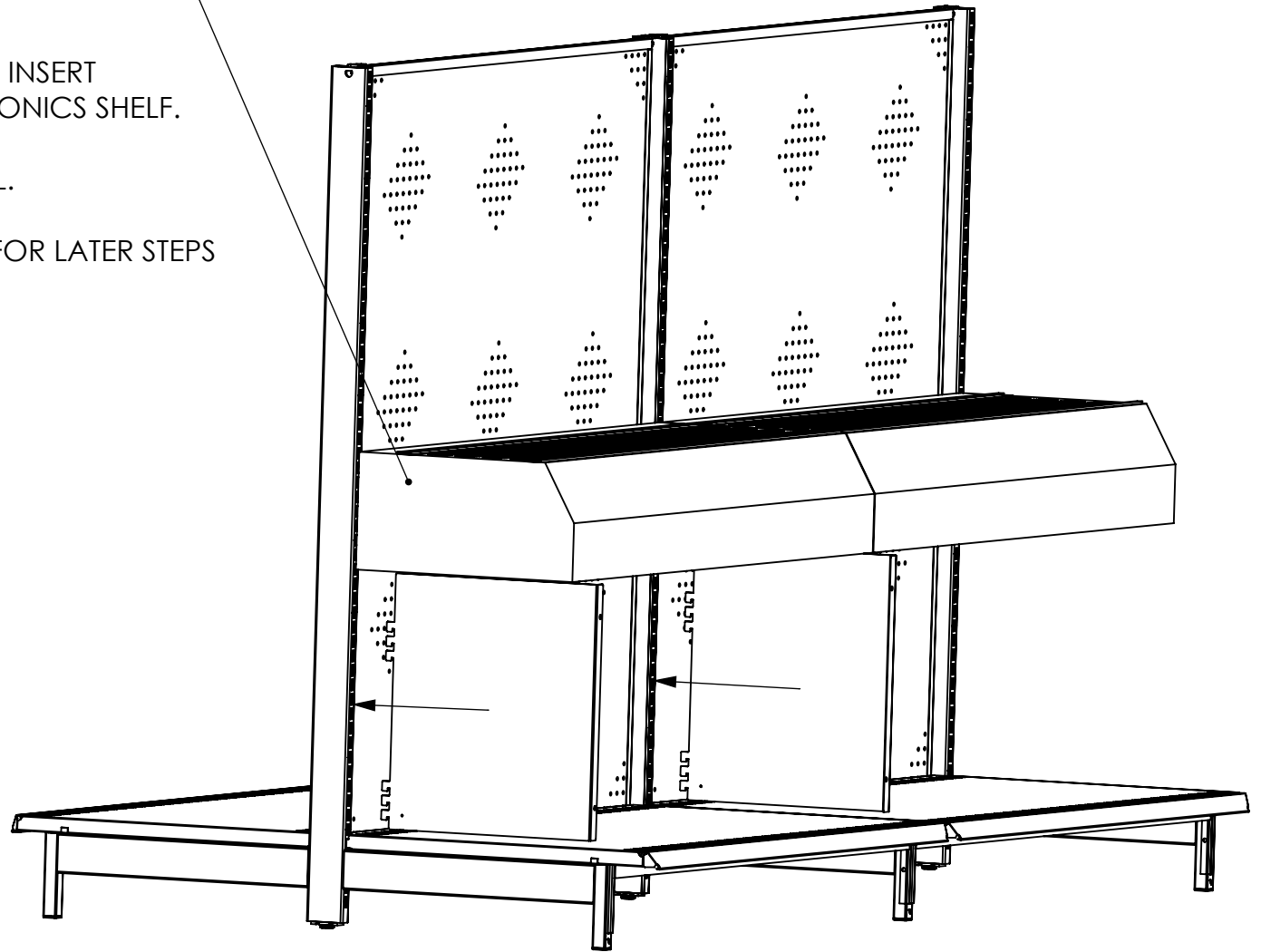
\*EXISTING WHITE SHELVES (IF ANY) DO NOT REQUIRE REMOVAL TO INSTALL ELECTRONIC PANELS.

STARTER

STEP 1: LOCATE LEFT PANEL AND INSERT INTO HOOKS UNDER THE ELECTRONICS SHELF.

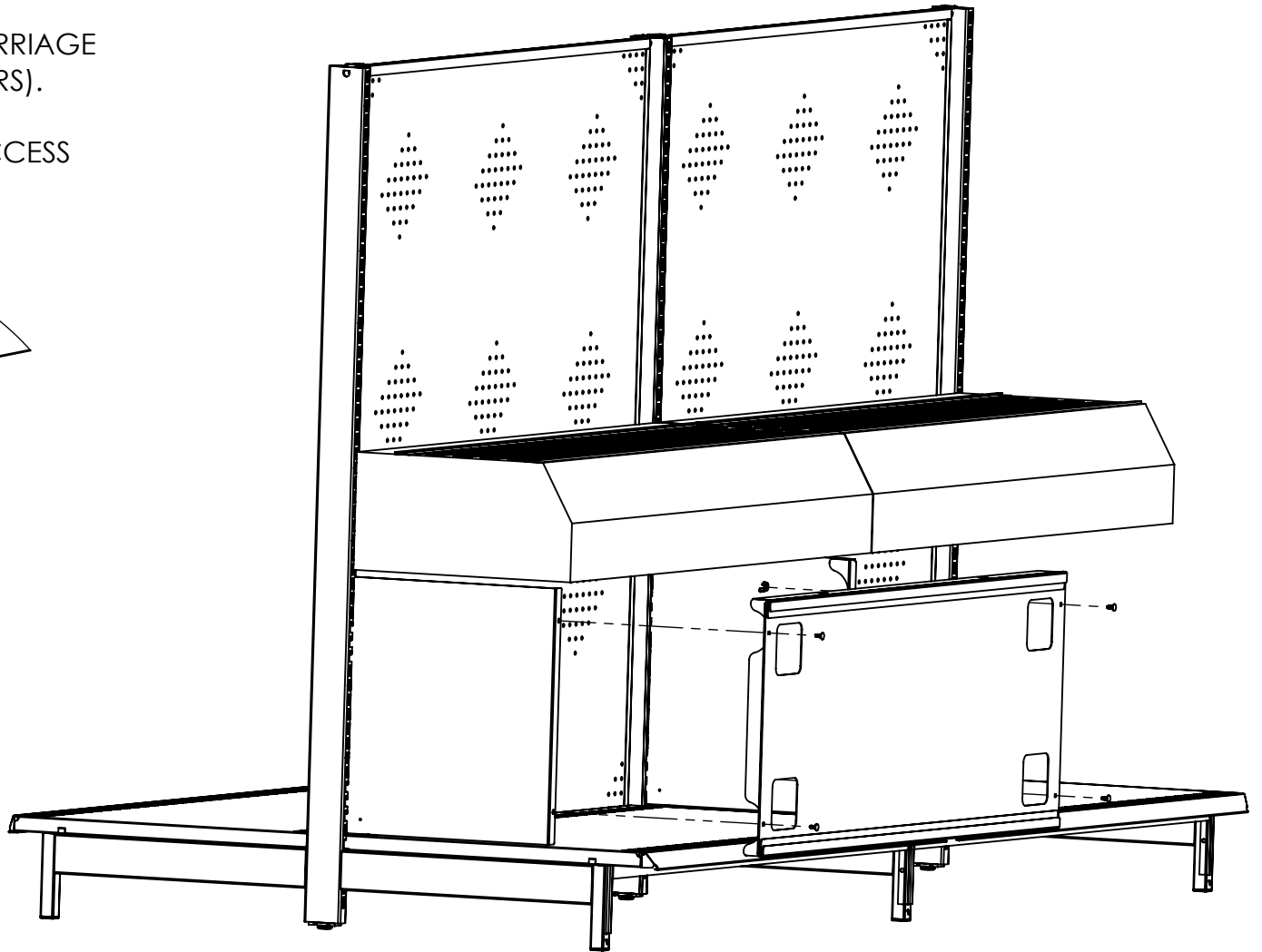
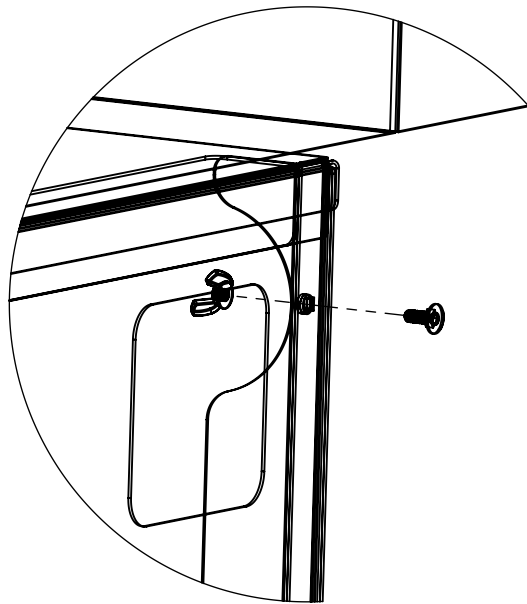
STEP 2: REPEAT FOR RIGHT PANEL.

NOTE: LEAVE RIGHT PANEL OFF FOR LATER STEPS IF USING AN ADD-ON OPTION.

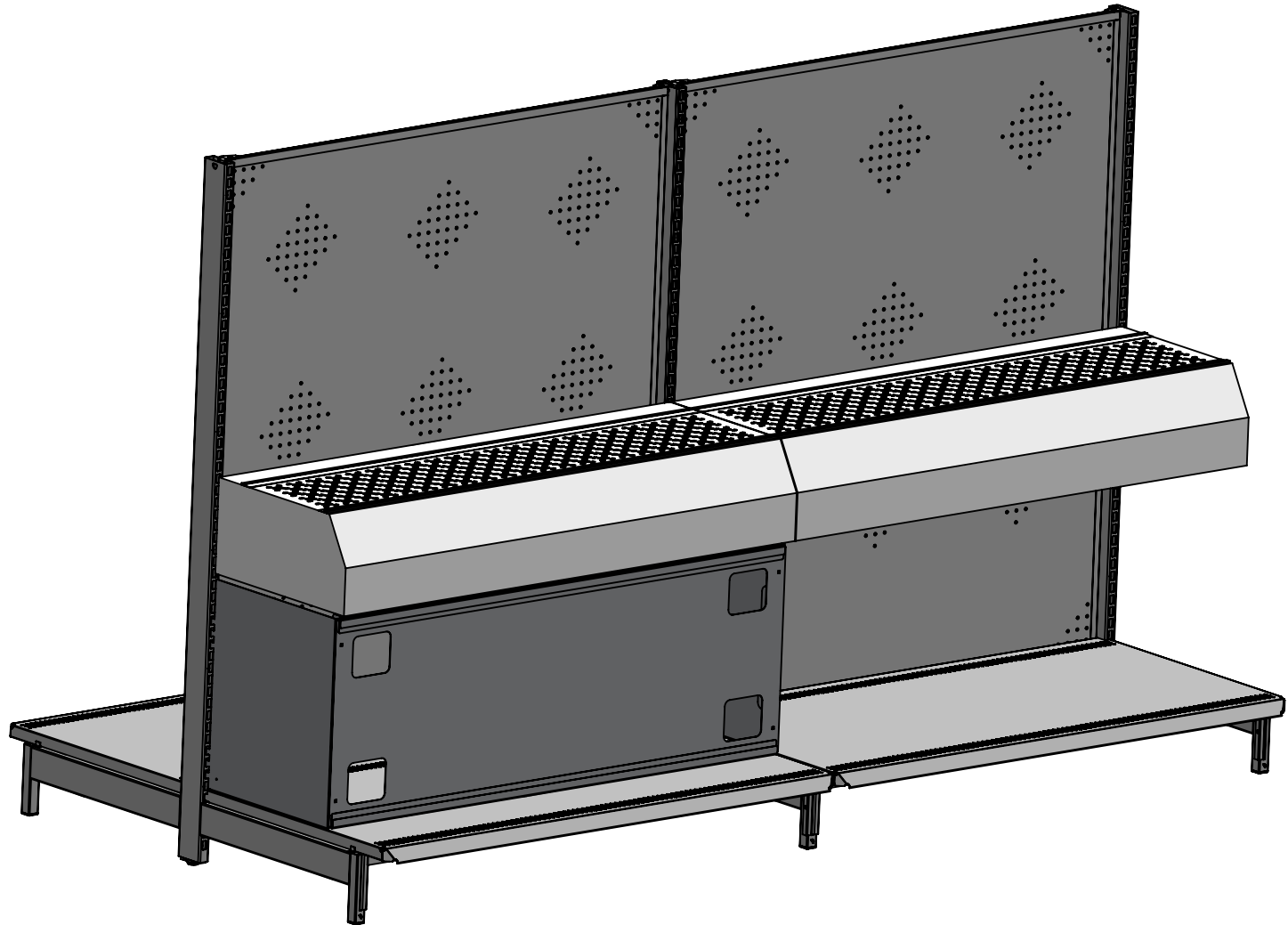


STEP 3: LOCATE FRONT PANEL  
AND ATTACH WITH PROVIDED CARRIAGE  
BOLTS AND WING NUTS (4 CORNERS).

USE PROVIDED OPENINGS FOR ACCESS  
AND HAND TIGHTEN.



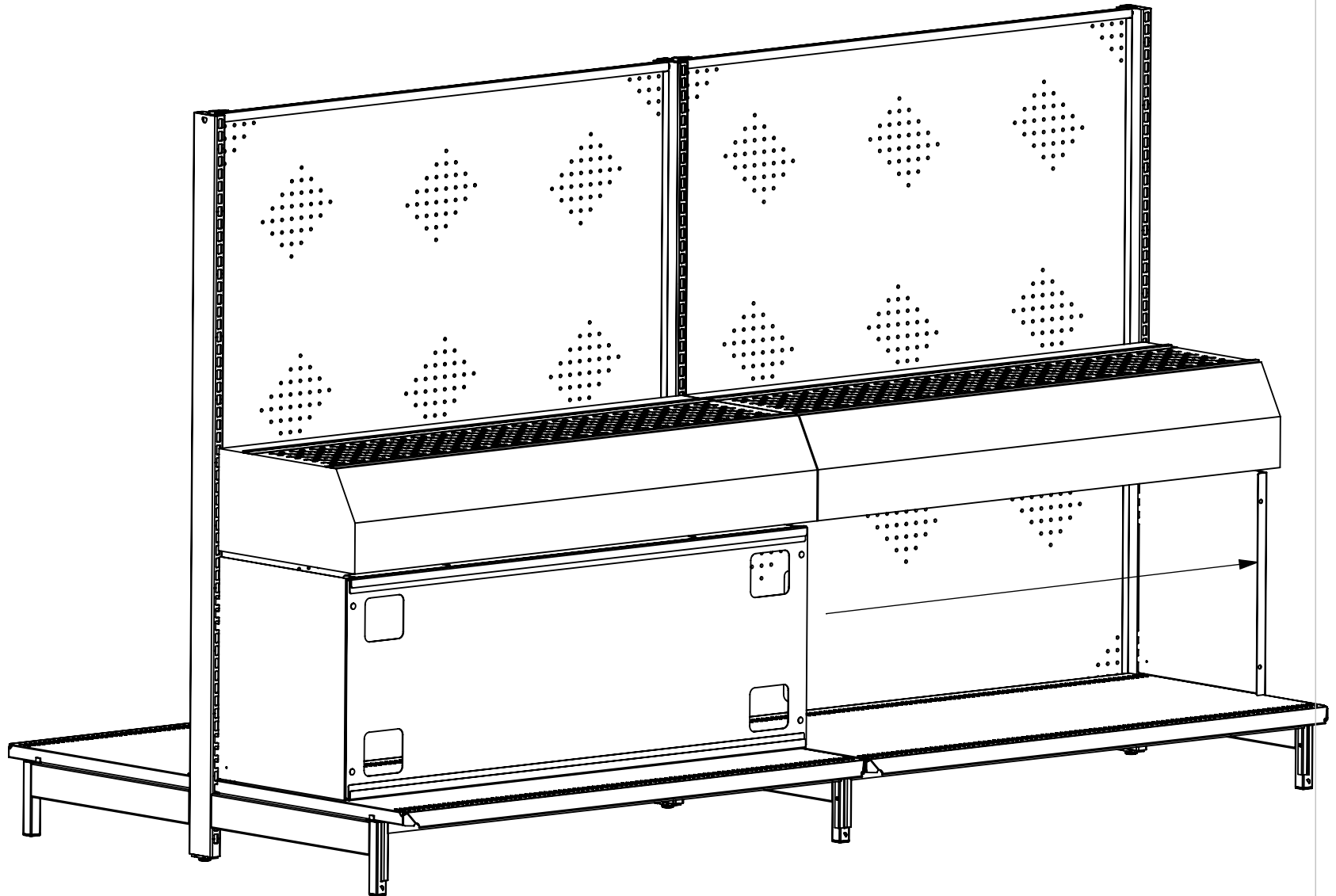
CONTINUE TO NEXT PAGE  
IF USING AN ADD-ON.



LAD DESCRIPTION			
NEXT GEN ELECTRONICS PANEL STR AND AO			
LAD PART NO.	REV.	BY	DATE
354735IS	1	JH	12/9/24



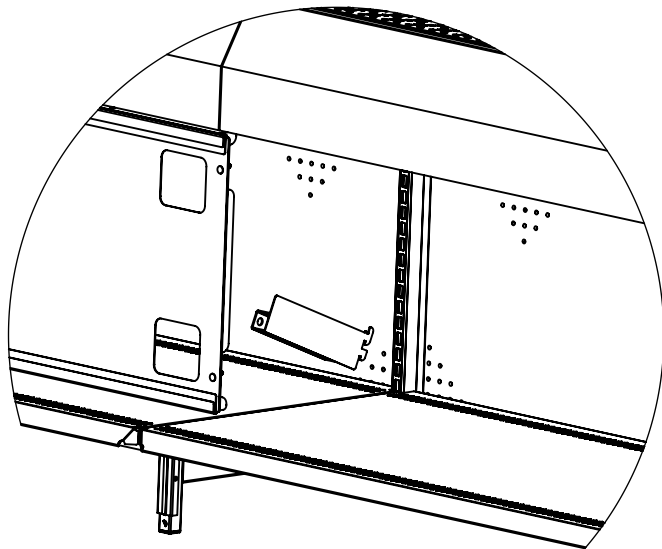
STEP 1: DETERMINE END LOCATION  
OF ADD-ONS AND RELOCATE RIGHT  
PANEL TO THE APPROPRIATE UPRIGHT.



LAD DESCRIPTION			
NEXT GEN ELECTRONICS PANEL STR AND AO			
LAD PART NO.	REV.	BY	DATE
354735IS	1	JH	12/9/24

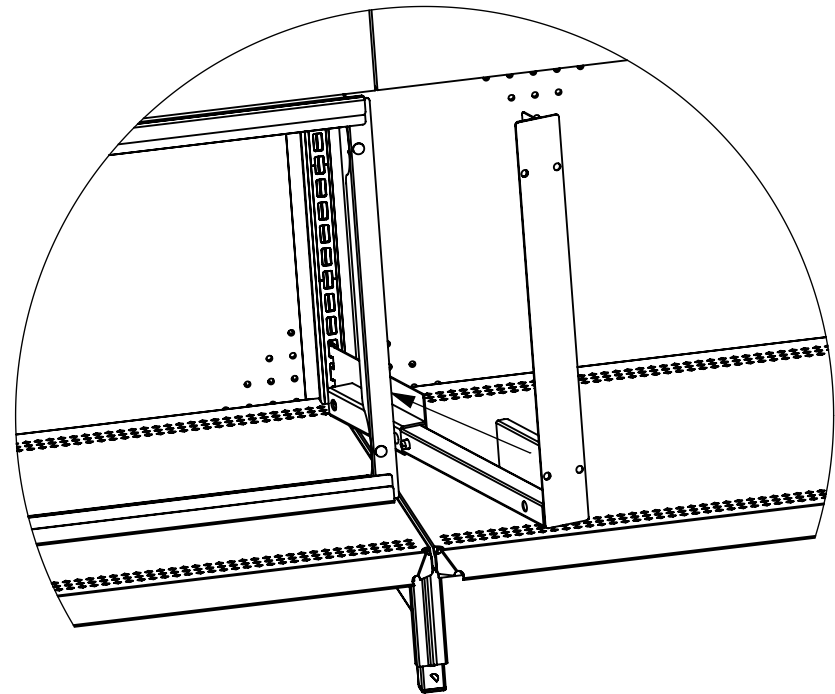
STEP 2: LOCATE BRACKET ASSEMBLY AND ROTATE INTO UPRIGHTS AT THE BOTTOM OF UPRIGHT.

NOTE: BRACKET ASSEMBLIES ARE USED TO ATTACH ADD-ONS.



STEP 3: ROTATE BRACKET ASSEMBLY TO THE SIDE (WITH TEETH STILL IN UPRIGHT) AS SHOWN, AND CONNECT THE TUBING ASSEMBLY INTO THE SHORTEST POSITION, SHOWN ON NEXT PAGE.

NOTE: FRONT PANEL OF STARTER HIDDEN FOR VISIBILITY.

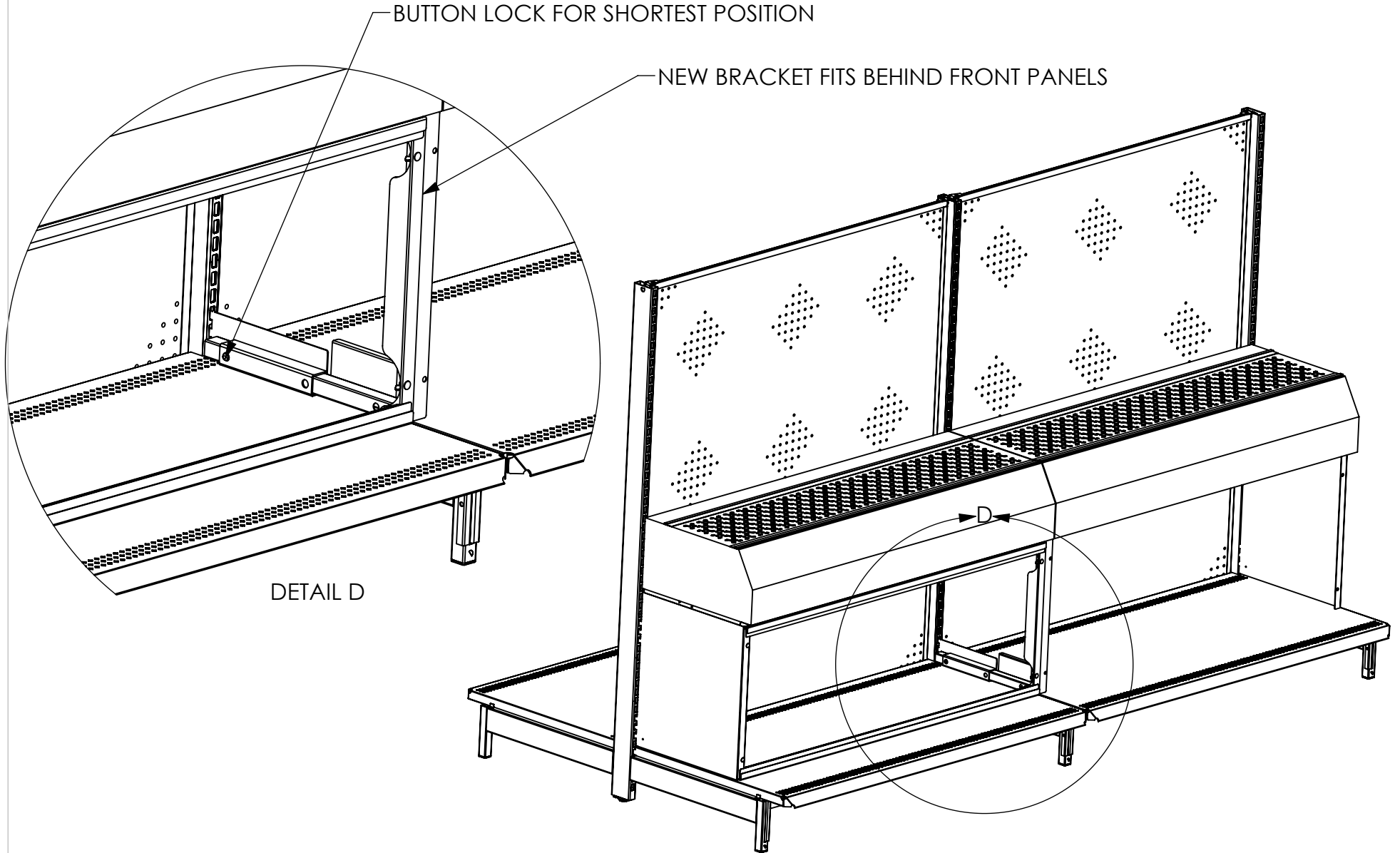


NOTE: FRONT PANEL OF STARTER HIDDEN FOR VISIBILITY.

ADD-ON

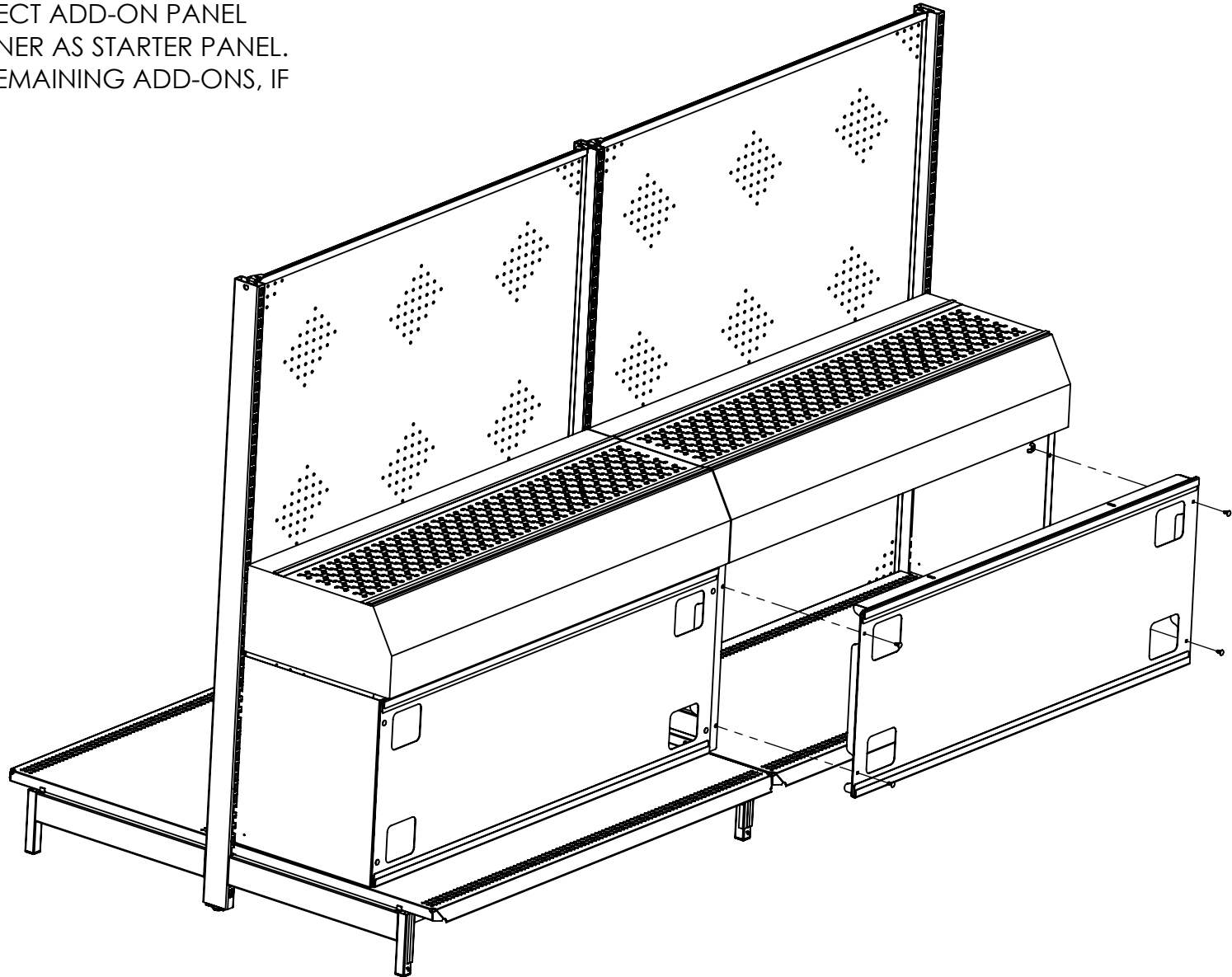
BUTTON LOCK FOR SHORTEST POSITION

NEW BRACKET FITS BEHIND FRONT PANELS

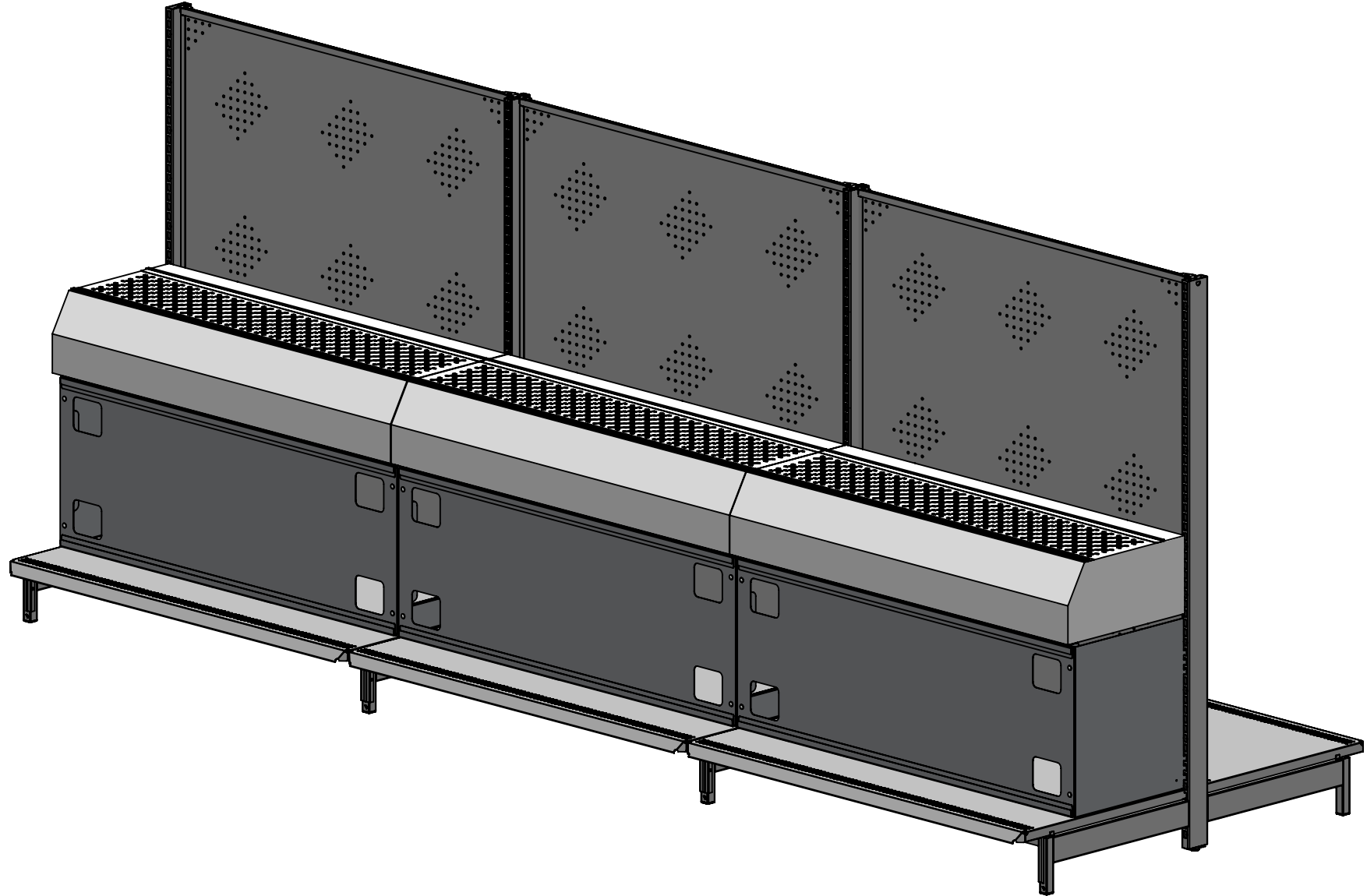


DETAIL D

STEP 4: CONNECT ADD-ON PANEL  
IN SAME MANNER AS STARTER PANEL.  
REPEAT FOR REMAINING ADD-ONS, IF  
ANY.



LAD DESCRIPTION			
NEXT GEN ELECTRONICS PANEL STR AND AO			
LAD PART NO.	REV.	BY	DATE
354735IS	1	JH	12/9/24



LAD DESCRIPTION		
NEXT GEN ELECTRONICS PANEL STR AND AO		
LAD PART NO.	REV.	BY
354735IS	1	JH
	DATE	
	12/9/24	