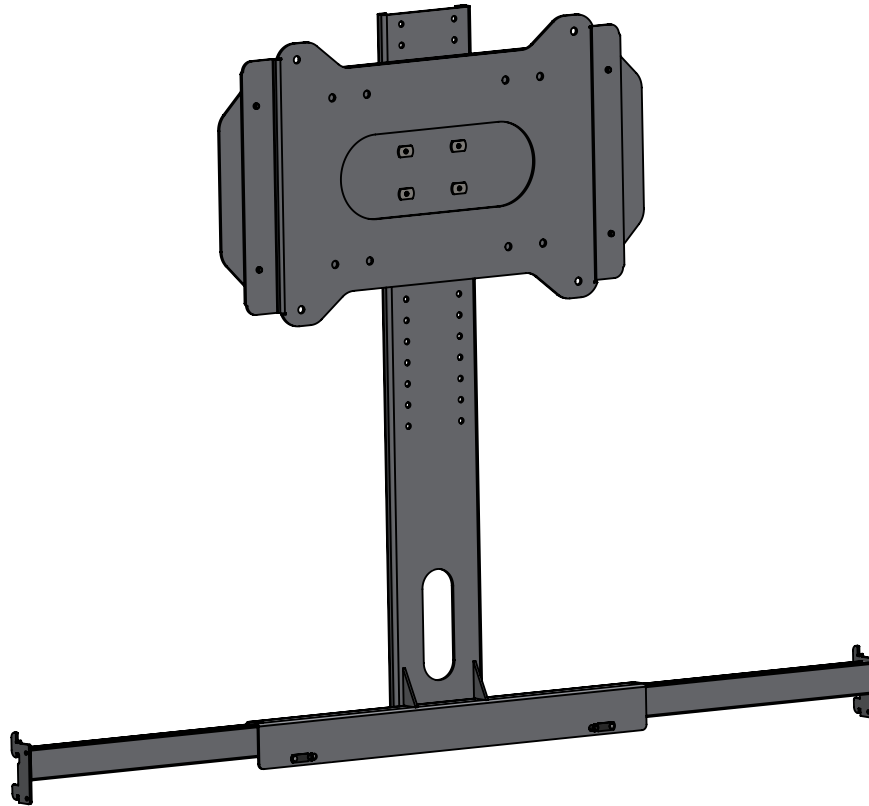


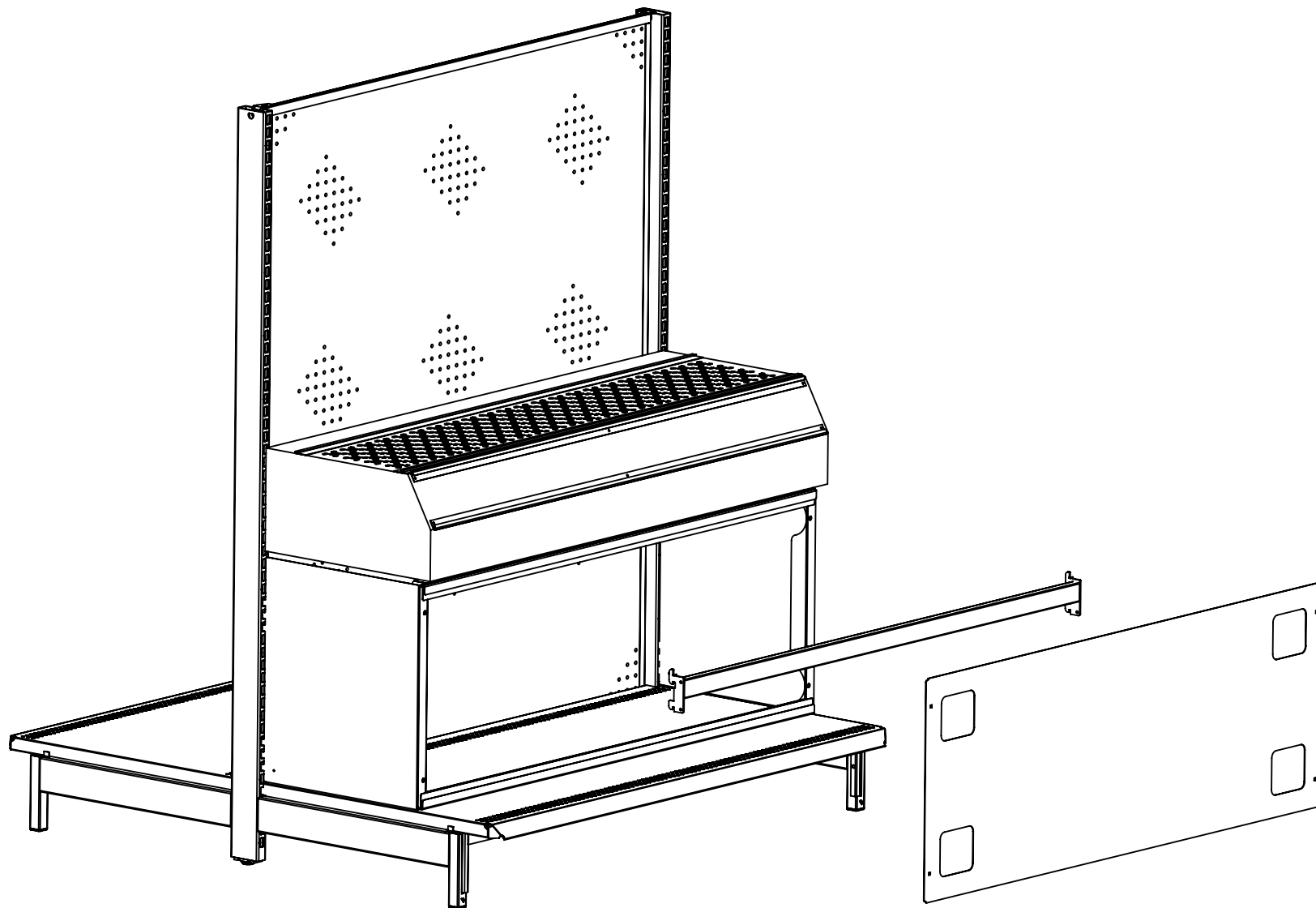
Walmart Part No. **100716434**

Walmart Description  
**TV STAND**



Visit [www.ladarling.com/TV-Stand/](http://www.ladarling.com/TV-Stand/) for a digital copy of the instruction sheets.

STEP 1: REMOVE FRONT PANEL OF LOWER ASSEMBLY. (IF REQUIRED).  
STEP 2: LOCATE HANGBAR AND DETERMINE DESIRED HEIGHT FOR INSTALLATION.



**L.A. DARLING**

MARMON RETAIL SOLUTIONS - BERKSHIRE HATHAWAY

LAD DESCRIPTION

TV STAND

LAD PART NO.

354754IS

REV.

1

BY

JH

DATE

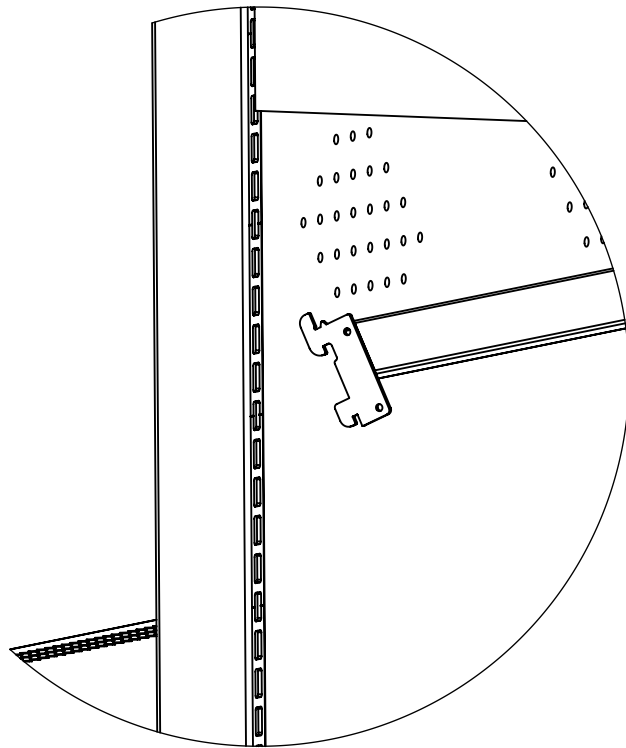
12/9/24

Customer Service 1-800-682-5730

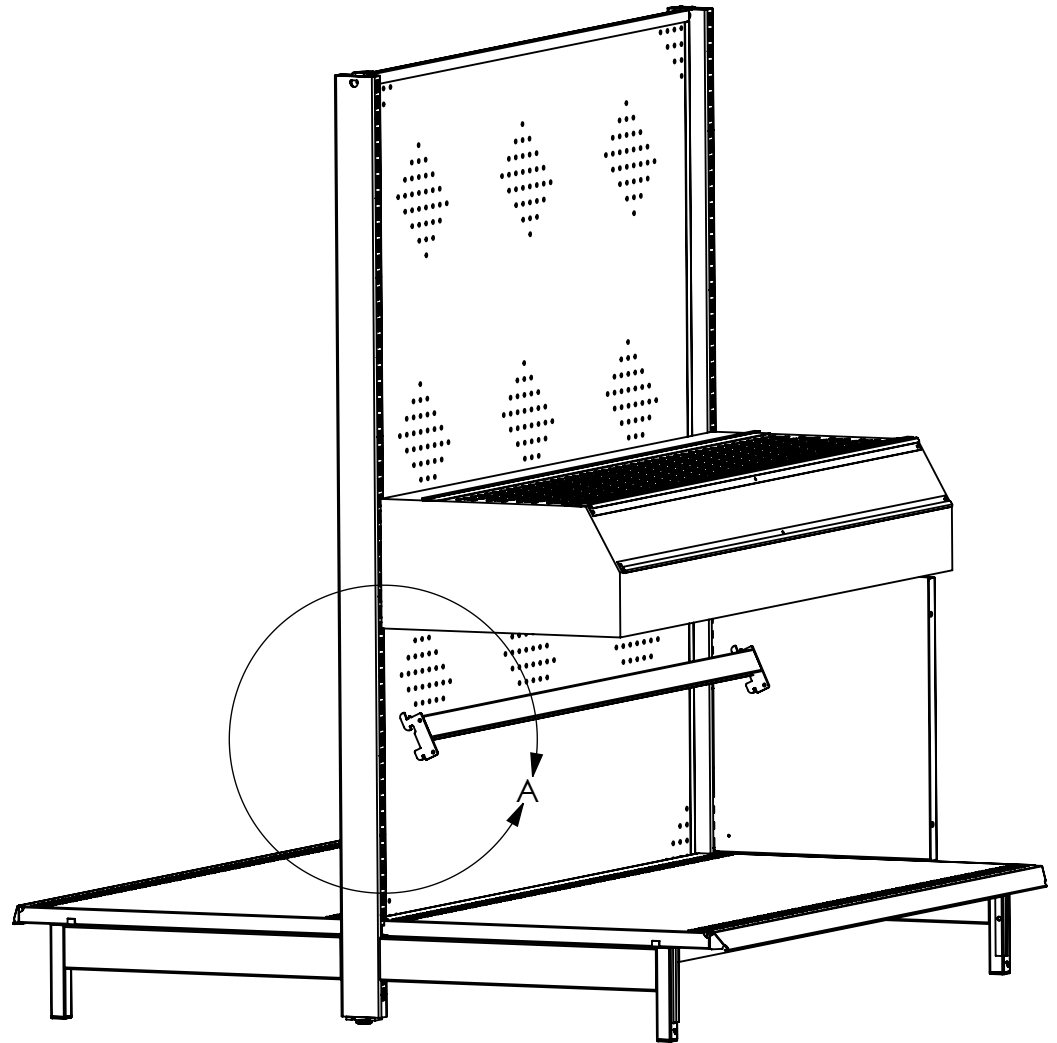
PAGE

2 OF 8

STEP 3: (STEP 2 CONTINUED). ROTATE INTO GONDOLA SLOTS AND PRESS DOWN TO MAKE SURE BRACKET IS FULLY SEATED.



DETAIL A



**L.A. DARLING**

MARMON RETAIL SOLUTIONS - BERKSHIRE HATHAWAY

LAD DESCRIPTION

TV STAND

LAD PART NO.

354754IS

REV.

1

BY

JH

DATE

12/9/24

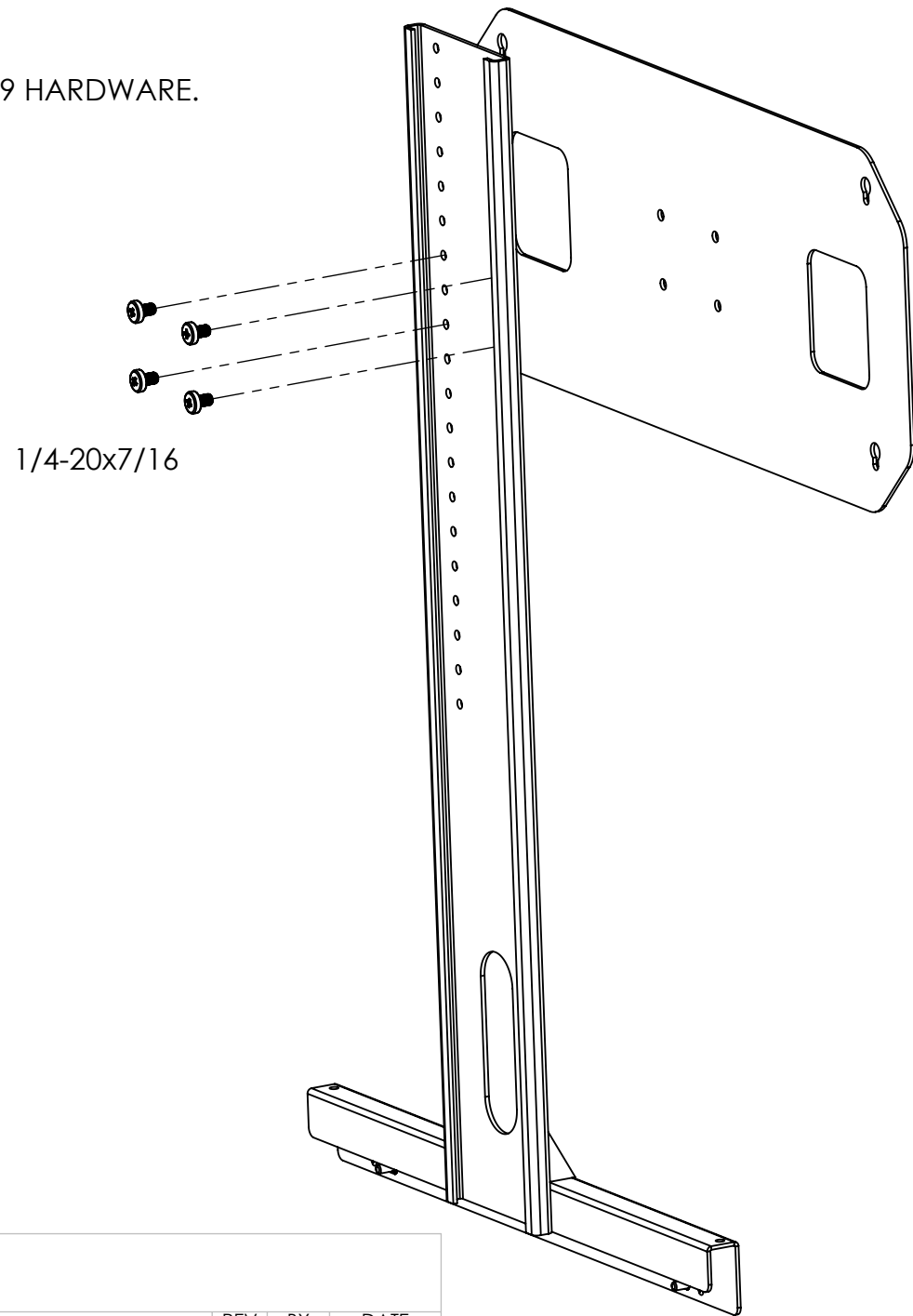
Customer Service 1-800-682-5730

PAGE

3 OF 8

STEP 4: BOLT PLATE TO CHANNEL  
AT DESIRED HEIGHT WITH THE PROVIDED 90272A729 HARDWARE.

NOTE: MAKE SURE SCREWS ARE FULLY SECURED.



**L.A. DARLING**

MARMON RETAIL SOLUTIONS - BERKSHIRE HATHAWAY

LAD DESCRIPTION

TV STAND

LAD PART NO.

354754IS

REV.

1

BY

JH

DATE

12/9/24

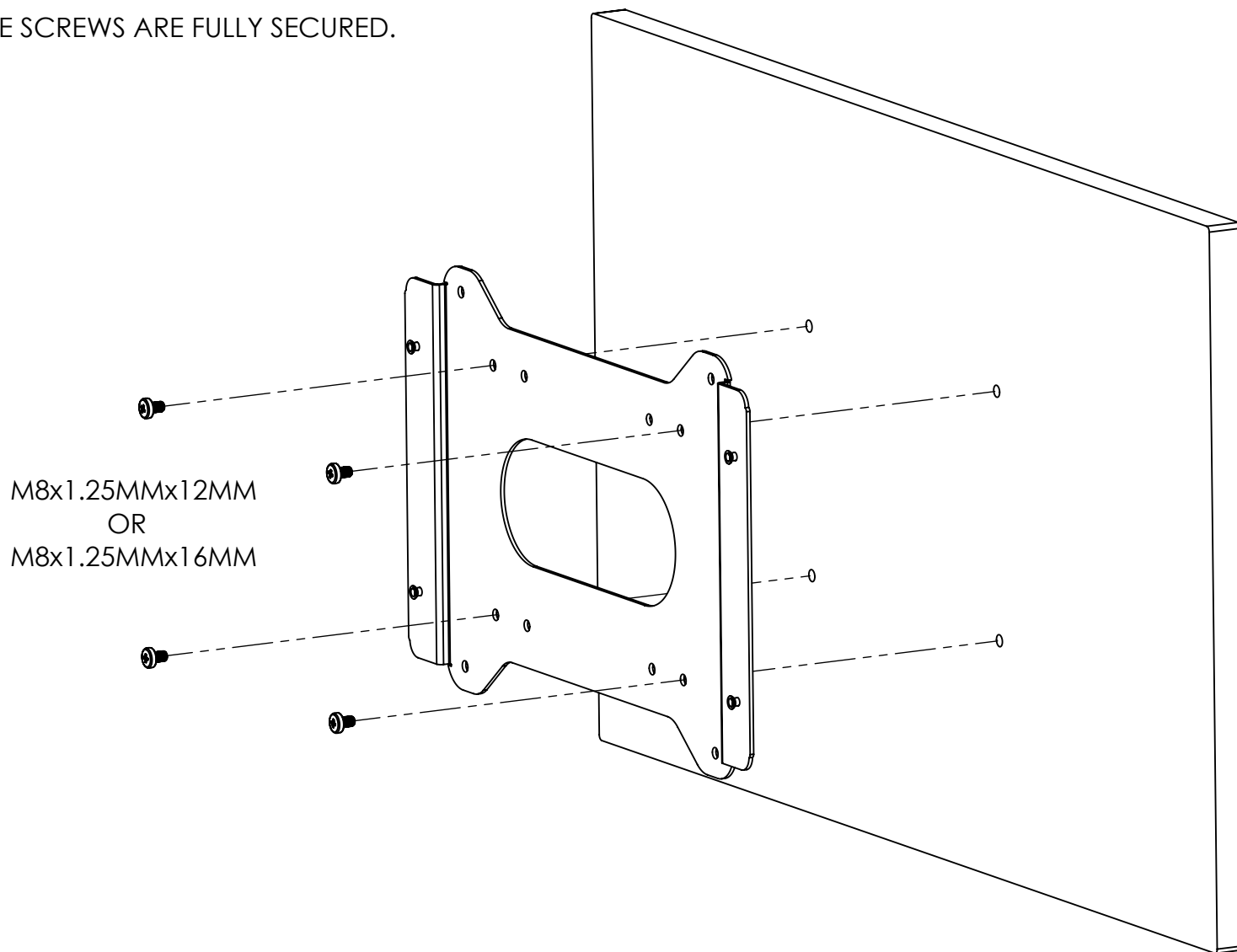
Customer Service 1-800-682-5730

PAGE

4 OF 8

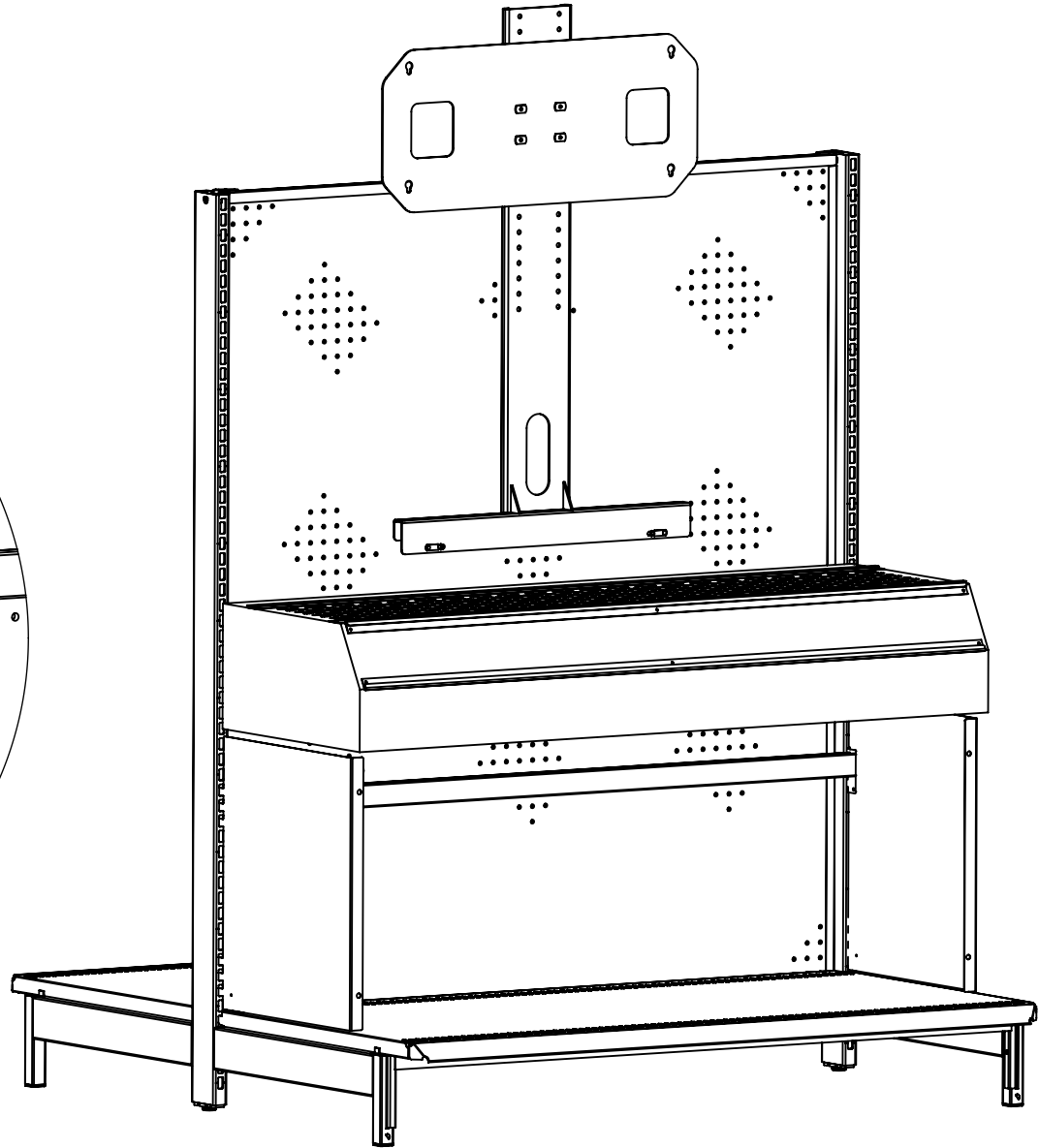
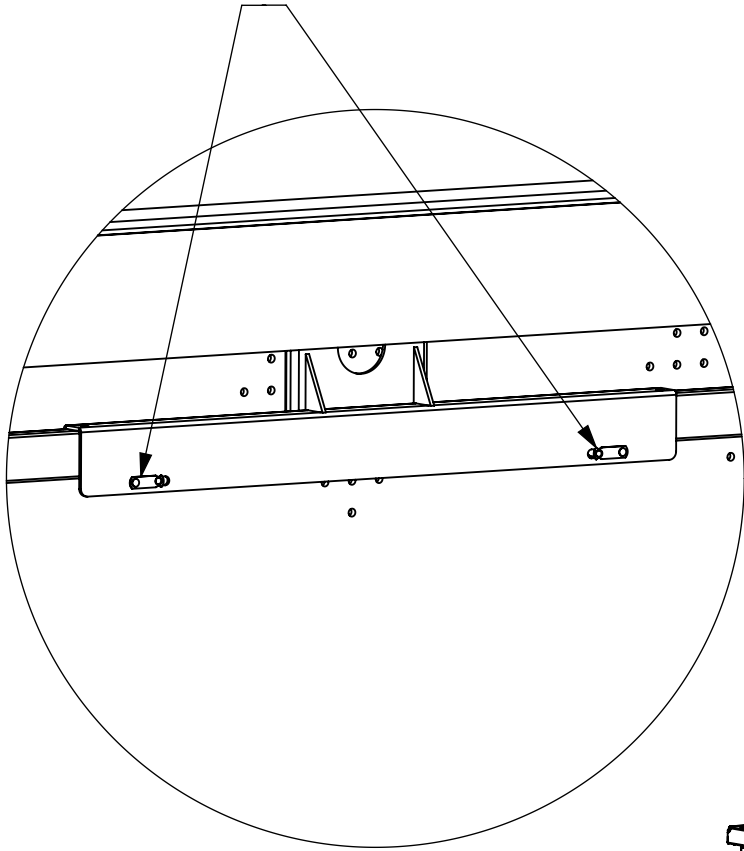
STEP 5: BOLT PLATE TO TV WITH THE PROVIDED M8 SCREWS (TWO DIFFERENT LENGTHS PROVIDED).

NOTE: MAKE SURE SCREWS ARE FULLY SECURED.

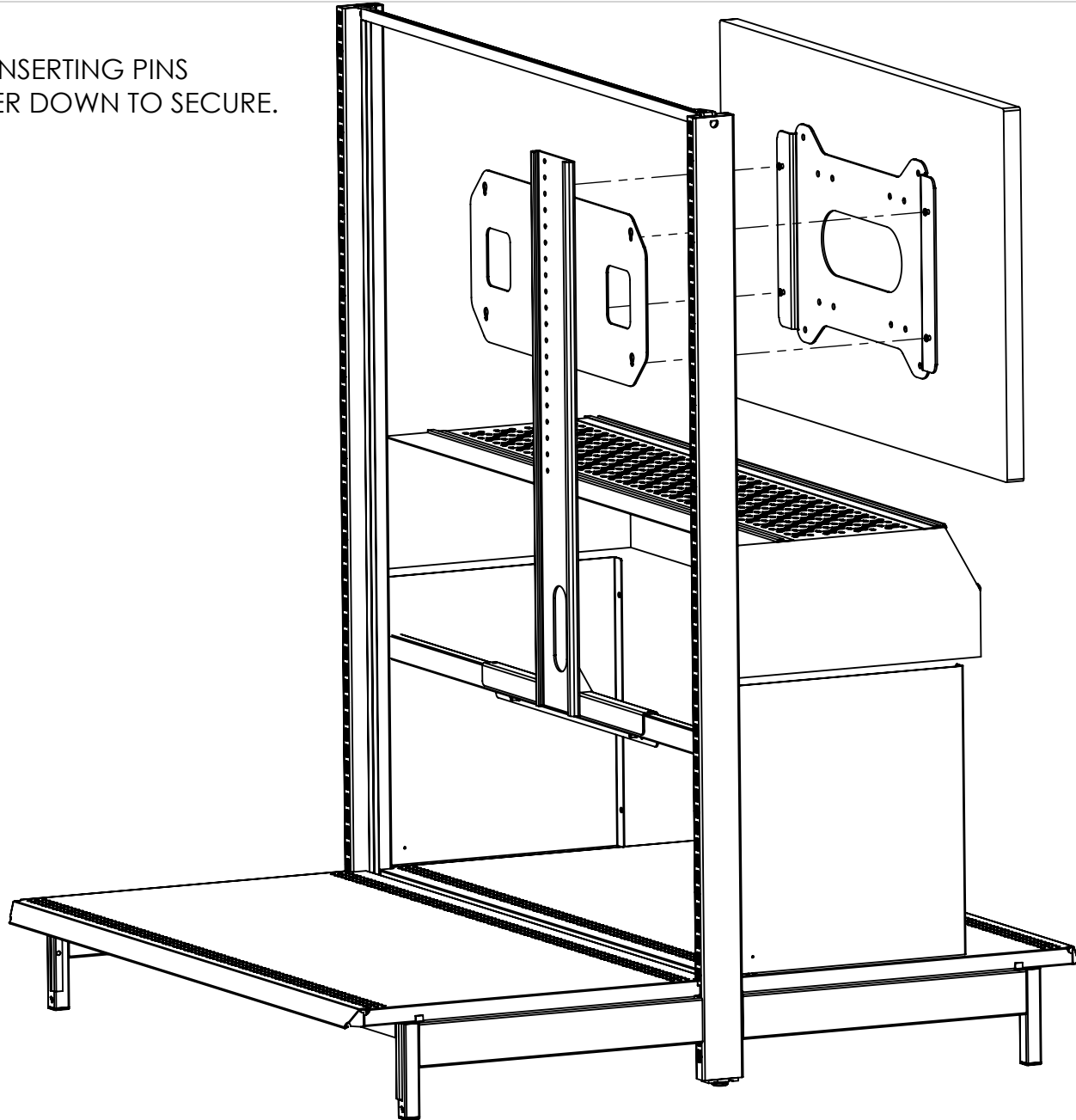


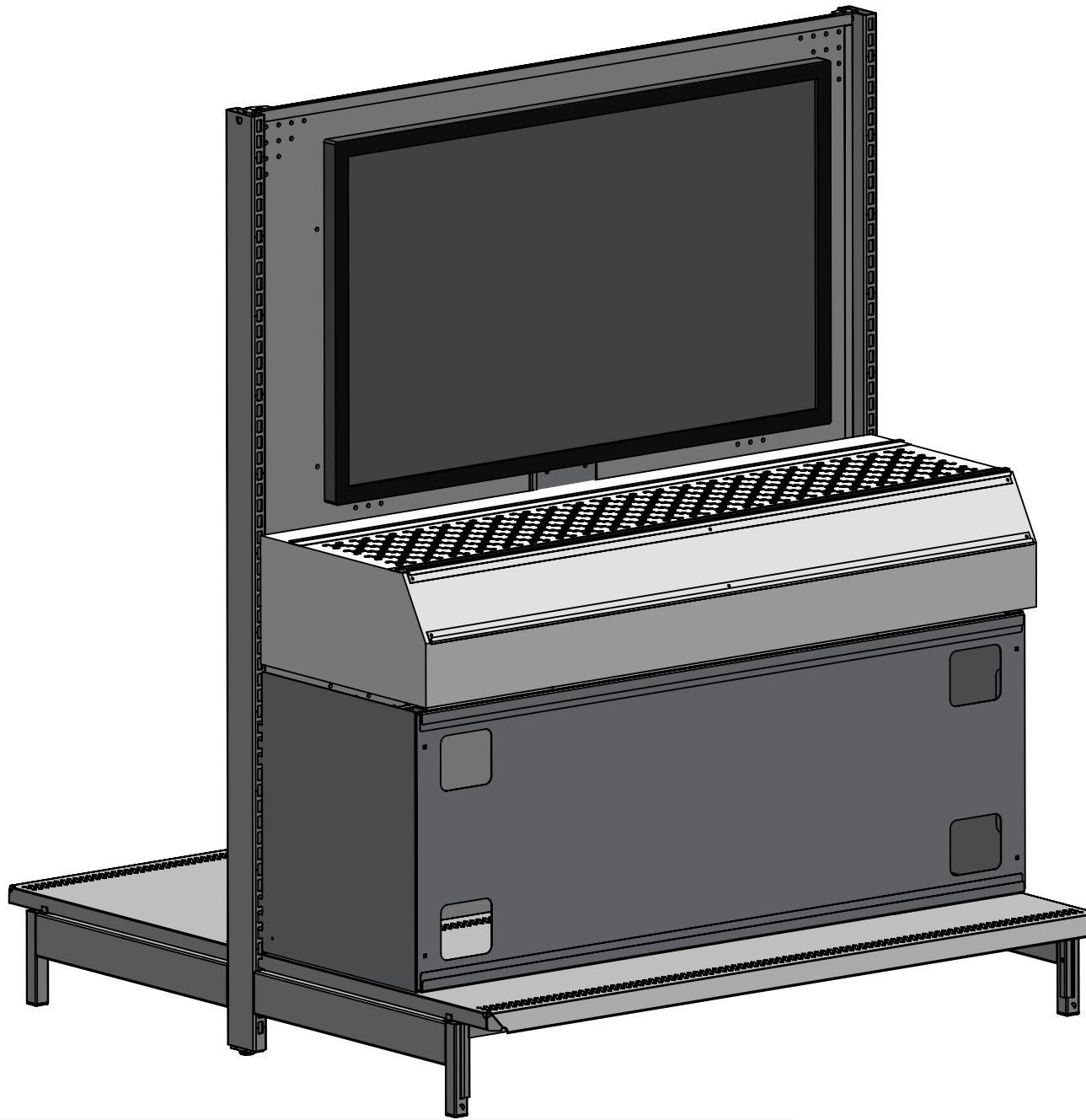
STEP 6: LOWER ONTO HANGBAR AND SECURE WITH SNAP BUTTONS.

NOTE: MAKE SURE BOTH SNAP BUTTONS ARE ENGAGED BELOW THE HANGBAR.



STEP 7: ATTACH TV BY INSERTING PINS INTO SLOTS AND LOWER DOWN TO SECURE.





**L.A. DARLING**

MARMON RETAIL SOLUTIONS - BERKSHIRE HATHAWAY

LAD DESCRIPTION

TV STAND

LAD PART NO.

354754IS

REV.

1

BY

JH

DATE

12/9/24

Customer Service 1-800-682-5730

PAGE  
8 OF 8